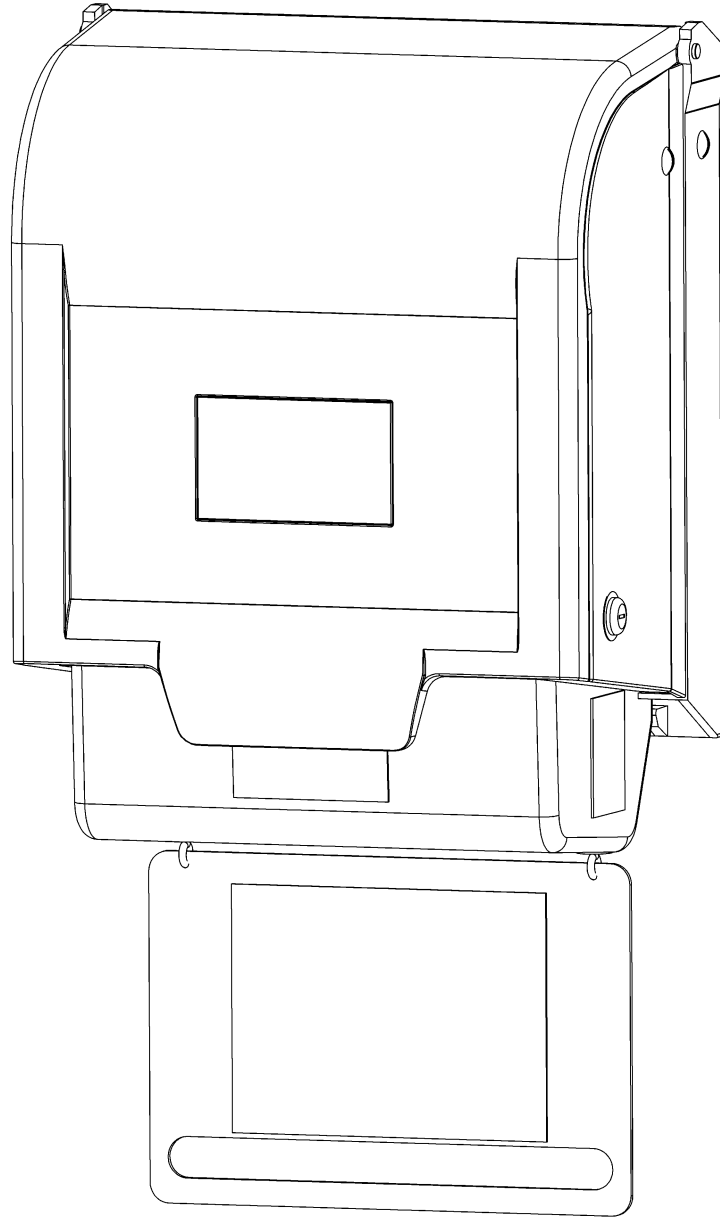


ENDURA II Cabinet
Product Guide



DARMAN

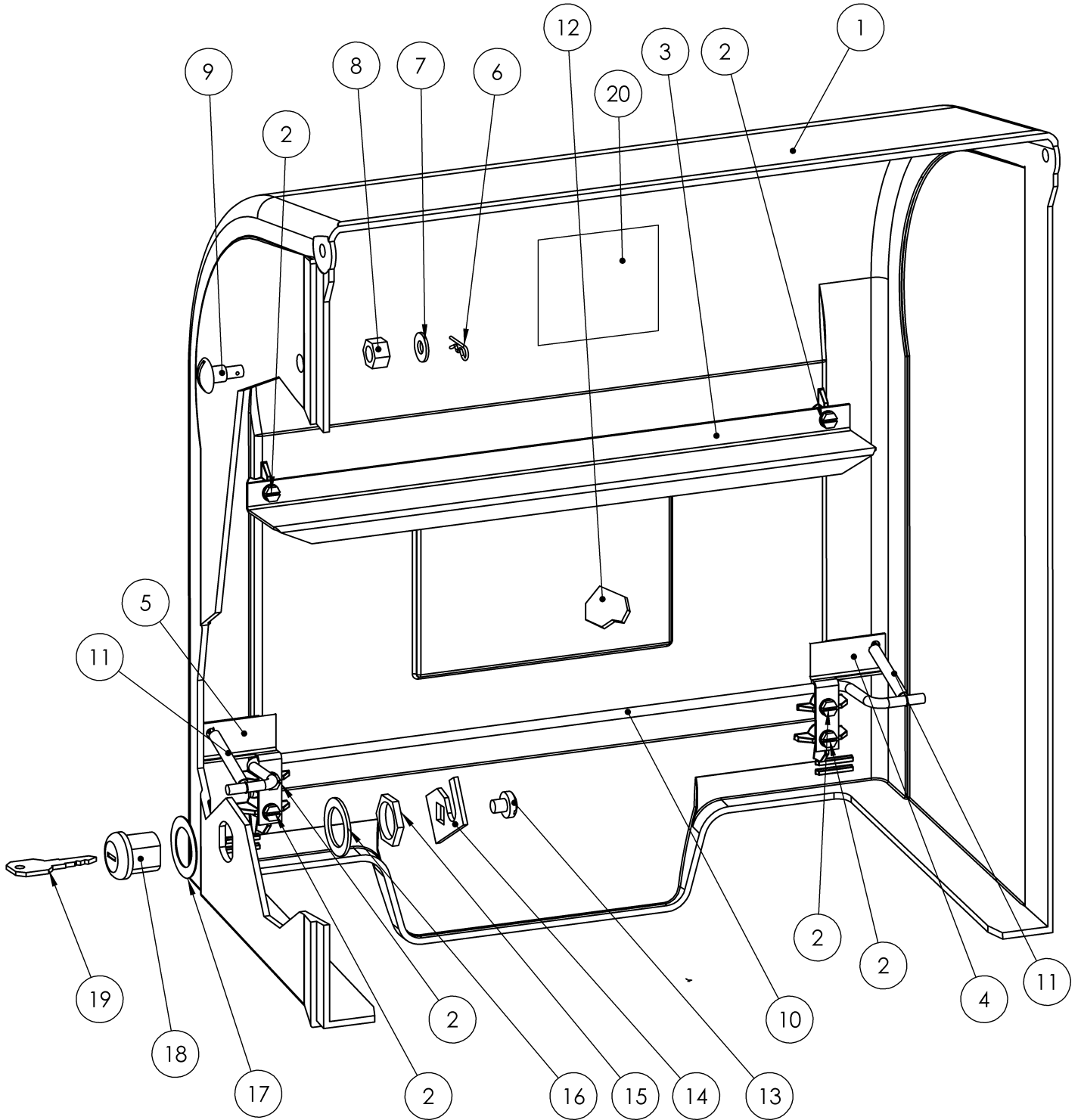
Manufacturing Company, Inc.
1410 Lincoln Ave., Utica, NY 13502

Phone: (315) 724-9632 Toll Free: (800) 732-4107 (USA and Canada) Fax (315) 724-8099

E-mail: gail@darmanco.com

www.DarmanCo.com

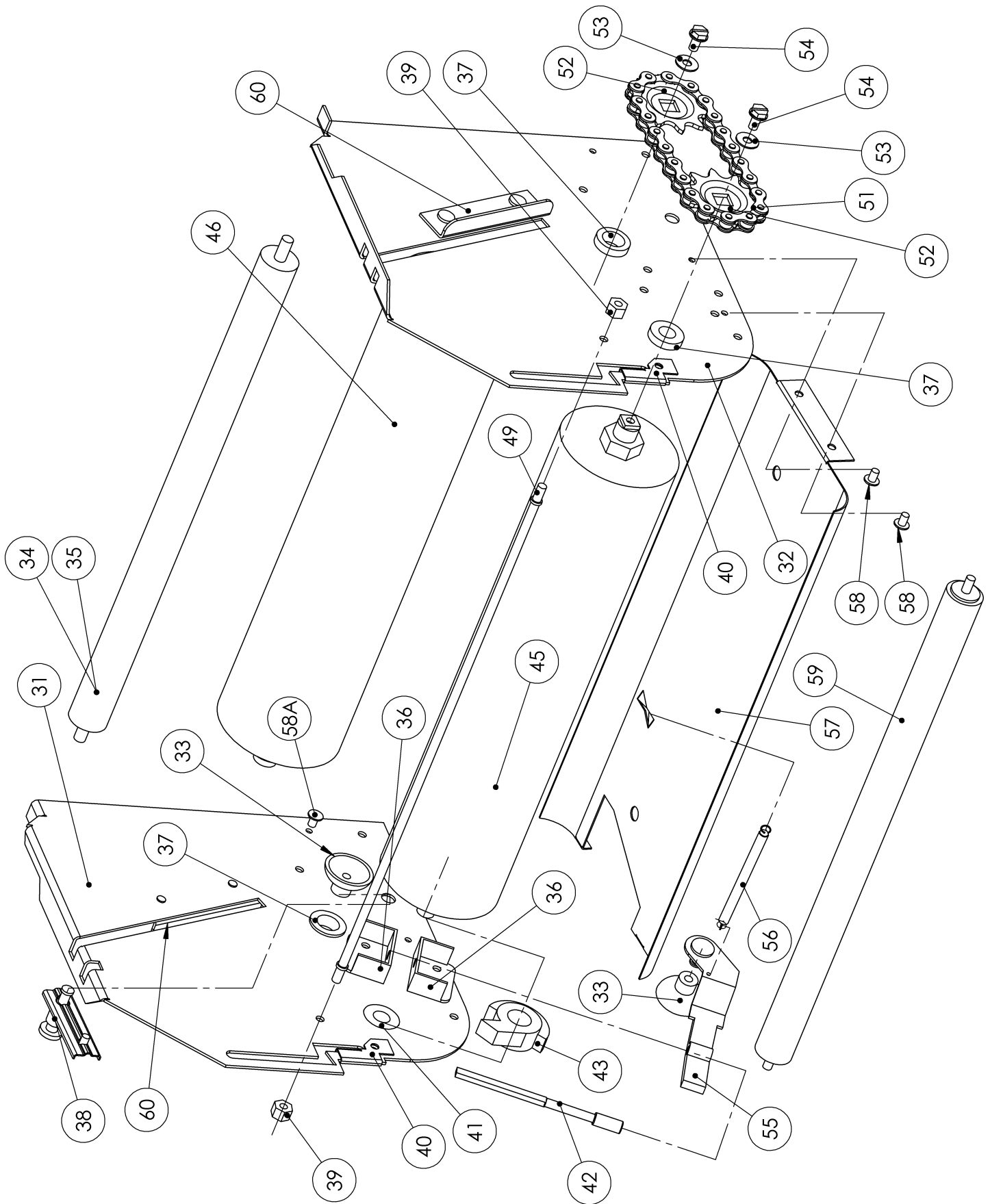
Hood Assembly



Hood Parts List

<u>Part #</u>	<u>Description</u>	<u>Part #</u>	<u>Description</u>
1	Cabinet Hood no Hardware	12	Mirror, acrylic safety
2	Self Tapping Screw	or 12A	White insert, acrylic safety
3	Towel Divider	13	Screw, lock cam
4	Hold-down Tab Left	14	Cam, lock
5	Hold-down Tab Right	15	Nut, lock
6	Hitch Clip, Large	16	Washer, thin
7	Flat Washer	17	Washer, thick
8	Nut, 5/16-18 KEP	18	Lock
9	Hood Latch Pin	19	Key – Y 14
10	Lock rod	20	Loading Label
11	Spring, lock rod (2)		

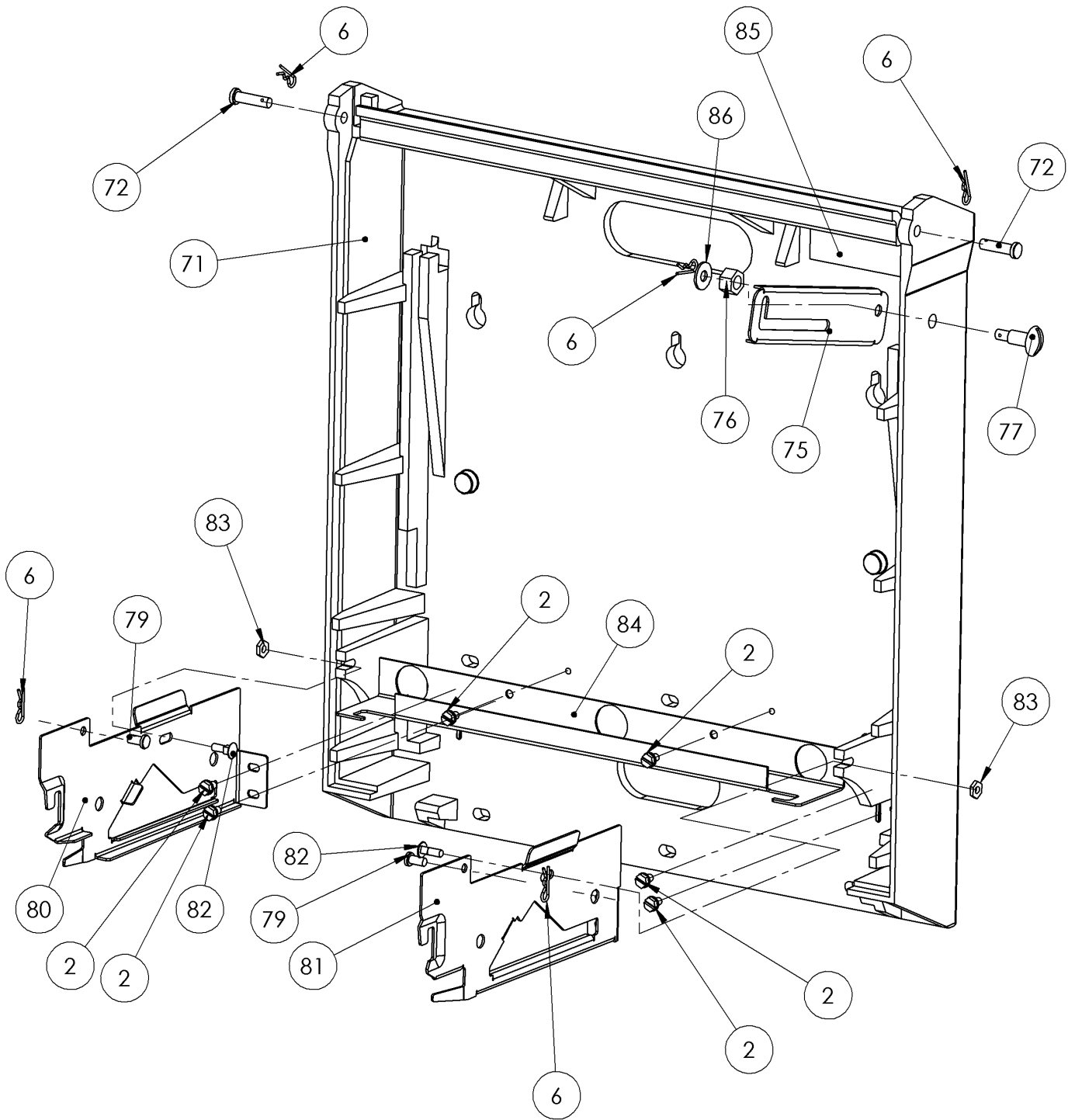
Mechanism Assembly



Mechanism Parts List

<u>Part #</u>	<u>Description</u>	<u>Part #</u>	<u>Description</u>
31	Side Plate Left Assembly	45	Anti-Slip Roller Front
32	Side Plate Right Assembly	46	Anti-Slip Roller Rear
33	Rubber Cup (2)	49	Tie Rod
34	Wood - Take Up – Roller	51	Chain
35	Metal – Take Up - Roller	52	Sprocket (2)
36	Time Stop Bracket (2)	53	Torsion Washer (2)
37	Large ID Bushing	54	Screw 10-32 (2)
38	Air Bleed Valve Assembly	55	Time Stop Arm *
39	Nut, 10-24 KEP (2)	56	Time Stop Return Spring *
40	Wear Plate Left and Right	57	Dust Plate
41	Small ID Bushing	58	Screw Self Tapping (2) #8-32 by 1/4
42	Pivot Pin with Rubber Cap	58A	Screw Self Tapping (2) #8-32 by 3/8
43	Steel Cam	59	Anti-Slip - Pinch Roller
		60	Slot Extension Left/Right Side

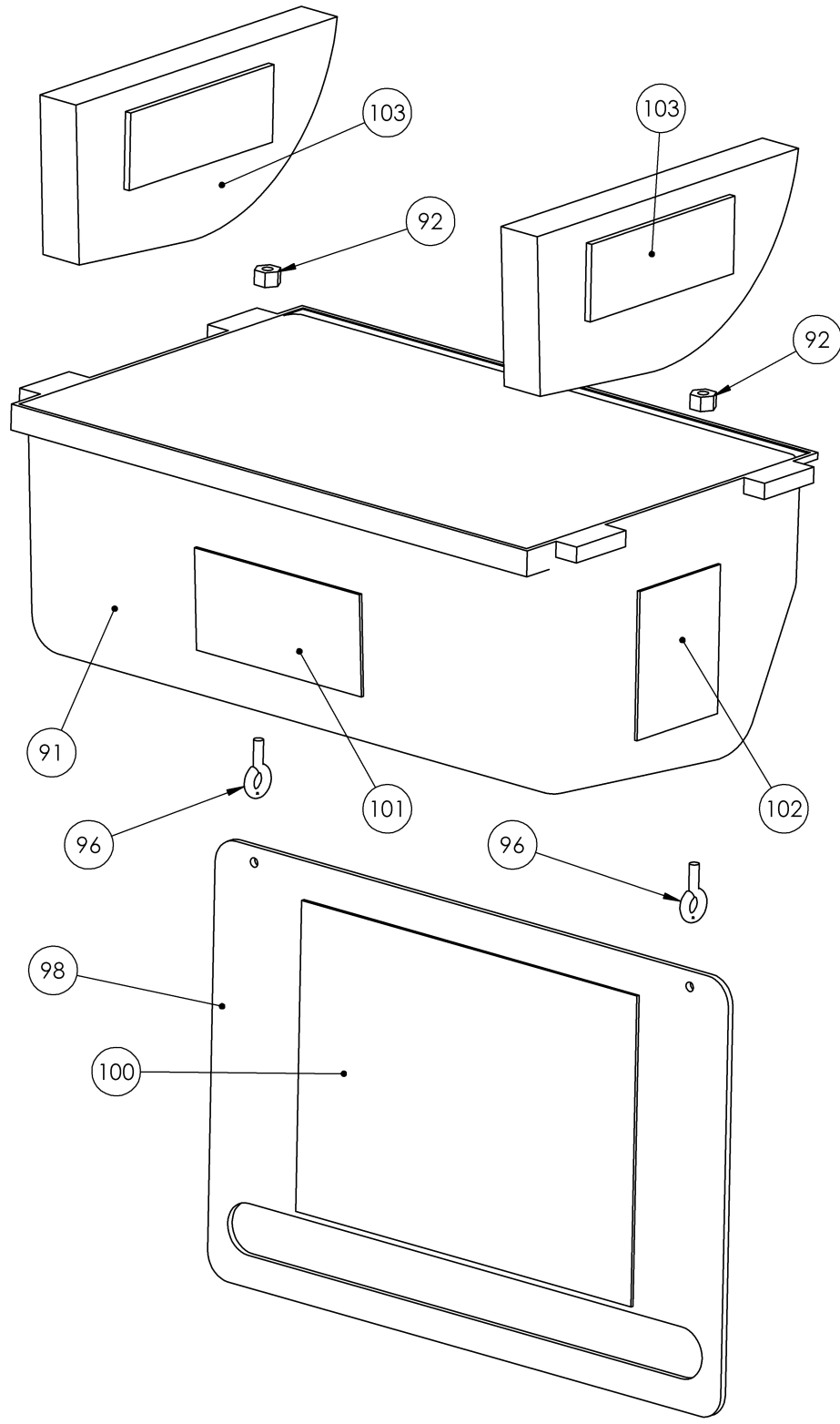
Back Assembly



Back Parts List

<u>Part #</u>	<u>Description</u>	<u>Part #</u>	<u>Description</u>
2	Self Tapping Screw (6)	79	Clevis Pin Small (2)
6	Hitch Clip, Large (5)	80	Bin Bracket Left
71	Cabinet Back, No Hardware	81	Bin Bracket Right
72	Clevis Pin, Large (2)	82	Carriage Bolt (2)
75	Hood Latch	83	Nut 8-32, KEP
76	Nut 5/16-18, KEP	84	Tension Device
77	Back Latch Pin	85	Label
		86	#10 Washer

Bin and Towel Guide Assembly



Bin and Towel Guide Parts List

<u>Part #</u>	<u>Description</u>
91	Towel Bin
92	Nyloc Nut, 10/32 (2)
96	#10 Eye Bolt (2)
98	Towel Guide
100	Maintenance Label
101	Ask Attendant Label
102	Warning Label
103	Foam Spacers for Paper Rolls

Trouble Shooting Chart

<u>Problem</u>	<u>Cause</u>	<u>Solution</u>
Towel pulls out freely without stopping or without pausing between pulls	<ol style="list-style-type: none"> 1. Pinch roller missing or not positioned properly 2. Timestop cups out of alignment 3. Rubber cups worn 4. Return spring damaged 5. Timestop arm is distorted 6. Foam timestop insert faulty 7. Timestop does not work properly 8. Timestop air bleed device spins – not seated in bracket properly 	<ol style="list-style-type: none"> 1. Make sure pinch roller is not missing and is properly positioned between the side plates. 2. Replace timestop arm 3. Replace rubber cups 4. Replace return spring 5. Replace timestop arm 6. Replace timestop valve black foam insert 7. Adjust timestop thumbscrew or replace timestop assembly 8. Make sure the brass air bleed device is properly seated on its bracket.
----- Anti-slip rollers do not turn	<ol style="list-style-type: none"> 1. Dust plate is bent 2. Cam worn or stripped 3. Timestop return spring damaged 4. Dust plate assembly loose 	<ol style="list-style-type: none"> 1. Straighten or replace dust plate 2. Replace cam 3. Replace return spring 4. Reinstall dust plate in slots
----- Anti-slip rollers turn hard	<ol style="list-style-type: none"> 1. Mechanism bent or twisted 	<ol style="list-style-type: none"> 1. Straighten bent parts, roller must spin freely
----- Lock jammed	<ol style="list-style-type: none"> 1. Foreign object in key slot 2. Key broken in lock 	<ol style="list-style-type: none"> 1. Remove and replace lock 2. Remove screw, use small punch through back of lock to remove broken key
----- Cabinet hood does not latch properly when shut	<ol style="list-style-type: none"> 1. Bin brackets distorted 2. Lock rod bent 3. Lock rod mounted too tight 	<ol style="list-style-type: none"> 1. Spread bin brackets outward 2. Replace lock rod 3. Bend tabs to loosen lock rod

Darman Manufacturing is always available to answer any questions regarding cabinet maintenance. For additional information about our Endura II cabinets, see our website which includes videos at www.darmanco.com