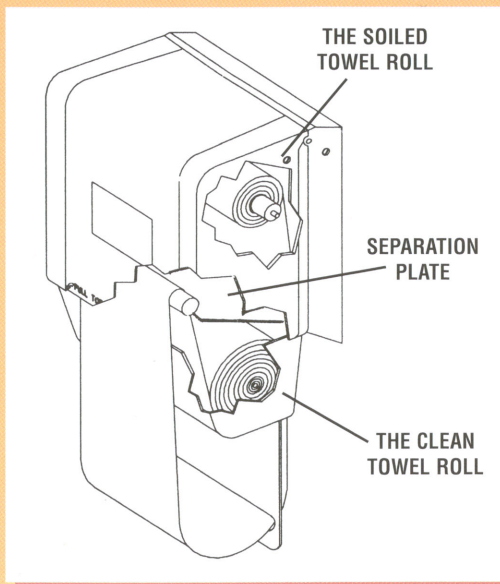


Single-Service Cabinet Toweling



In an attractive,
TOUGH dispenser.

- ▼ Clean and soiled towel are completely separated for hygienic integrity.
- ▼ Installed and maintained by trained service staff.
- ▼ Cleans easily with household cleaners.
- ▼ High impact shell is tougher than metal.
- ▼ Shatterproof plastic mirror resists abuse.
- ▼ Loads easily, locks securely.
- ▼ Low tension mechanism prevents towel slippage—towel loop length remains constant.

Used Worldwide

Why Pay More For Less?

Take Time To Compare

MONTHLY PAPER TOWEL COSTS

Cases used per month x cost per case \$ _____

Disposal cost per cubic yard x the feet of roll towel per case (or # of single sheet towels per case) ÷ by 5,600 for roll towels (or 5,000 for sheets) x cases/month \$ _____

Janitorial cost and plastic bag cost for paper towel disposal \$ _____

Average monthly plumbing costs for stoppages from paper towels \$ _____

Short List of Paper Towel Costs \$ _____

MONTHLY CLOTH TOWEL COSTS

Cost for cloth roll towels \$ _____

Dispenser rental \$ _____

Total Cloth Roll Towel Costs \$ _____

The Endura & Endura II
Single-Service Towel Cabinets

Manufactured By

DARMAN

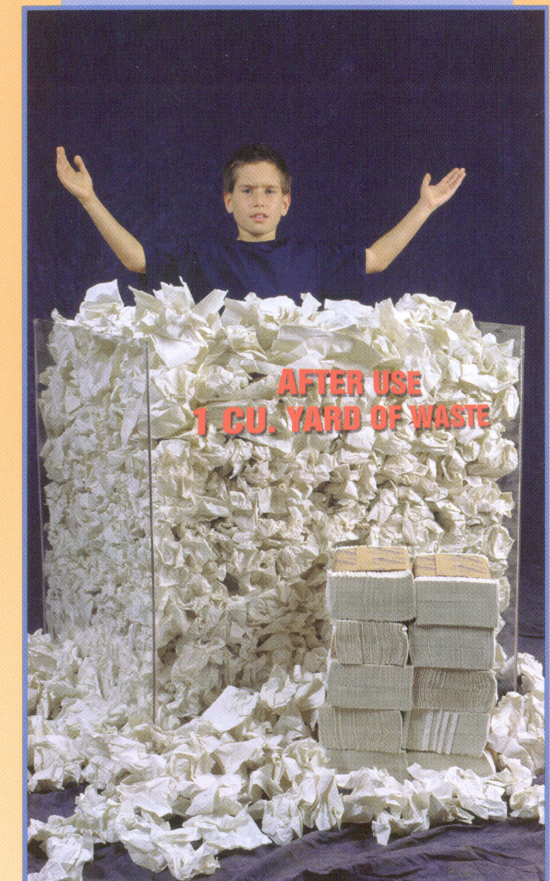
1410 Lincoln Avenue ▼ Utica, NY 13502

800-732-4107

www.darmanco.com

Available from:

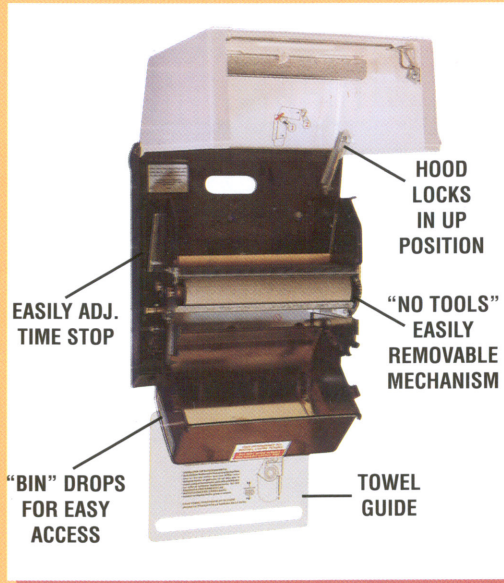
There's a better way than throwing them away...



PAPER TOWELS...

You buy them,
store them,
use them **once**,
then pay to
throw them away?

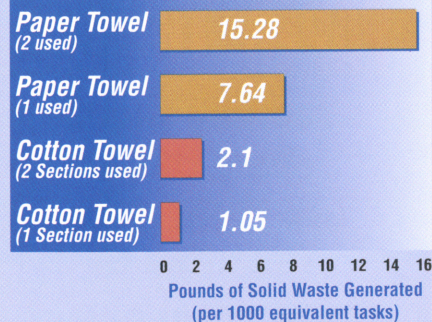
The White Endura



The Environmentally Responsible Alternative

- ▼ Paper towels must be landfilled or incinerated.
- ▼ One 45 yard cloth towel processed 75 times, replaces over 30,000 single fold paper towels!

SOLID WASTE IMPACT OF HAND TOWELING



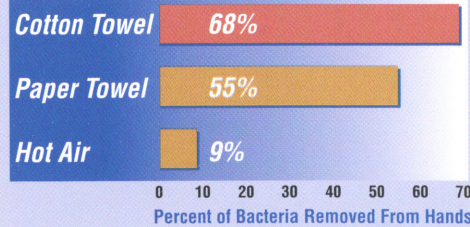
Single-Service Cabinet Toweling



The Most Hygienic Hand Drying Method

- ▼ **Removes** more bacteria from hands than paper or hot air.
- ▼ Is approved by the US Department of Health and Human Services.

HYGIENIC EFFICIENCY OF HAND DRYING METHODS



The White Endura II



other colors available

Employee Preferred

- ▼ Employees prefer the feel of cloth compared to paper or hot air.
- ▼ Cloth is up to 4 times more absorbent than paper.
- ▼ No fire hazard.
- ▼ No paper towel litter.

Maximum Value

- ▼ No solid waste disposal cost.
- ▼ Reduces janitorial costs.
- ▼ No costly plumbing stoppages due to flushed towels.
- ▼ No inventory or capital investment required.
- ▼ Costs less than paper's total cost.